

Sapphire 18W 700mA LED Driver

Dimmable via DALI



www.dignet.net.au



Range

DGCL700C18DD



Overview

High quality, Australian designed LED driver delivering 700mA at 12V DC to 21V DC. The driver includes a DALI line connection for control of the connected LED light source. The LED light output level can be controlled via DALI from 100% to 0.5%.

Features

350mA, 500mA, 650mA and 700mA constant current variants

DALI control input

Dimming range (via DALI) from 100% to 0.5%

DC output open circuit and short circuit detection, protection and reporting, in accordance with the DALI standard, IEC 62386-207

Automatic recovery from DC output open circuit and short circuit conditions

Active thermal wind-back with Gerard Lighting LED lamps to protect against LED damage due to overheating

Fully compatible with Gerard Lighting LED lamps, including Sunset Dim lamps and Constant Colour lamps

Fully tested to and complies with DALI standards IEC 62386-102 and IEC 62386-207 (using a DALI-AG approved tester, using test sequences version 1.1.)

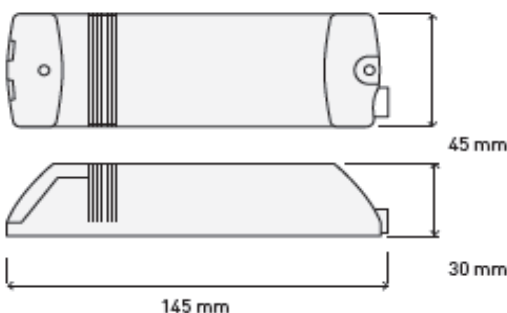
Full support for both DALI fast and slow fade times, as defined by the DALI standards

High Power Factor (≥ 0.95)

Pre-terminated DC lead for quick installation

Cable strain relief for DC and mains wiring

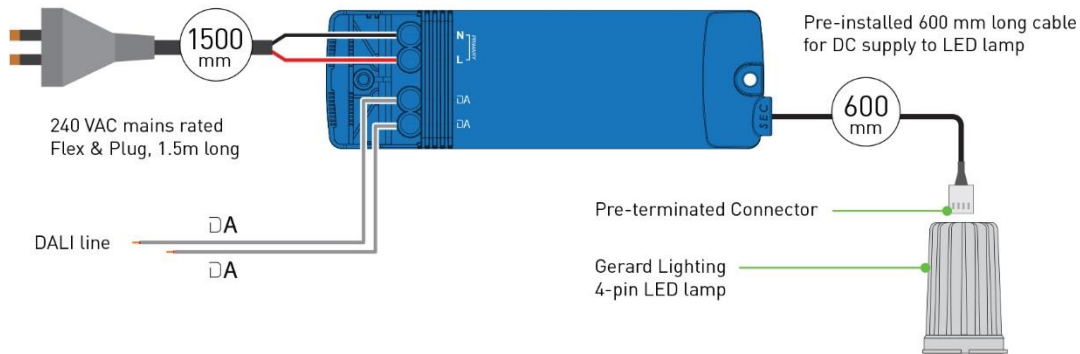
Dimensions



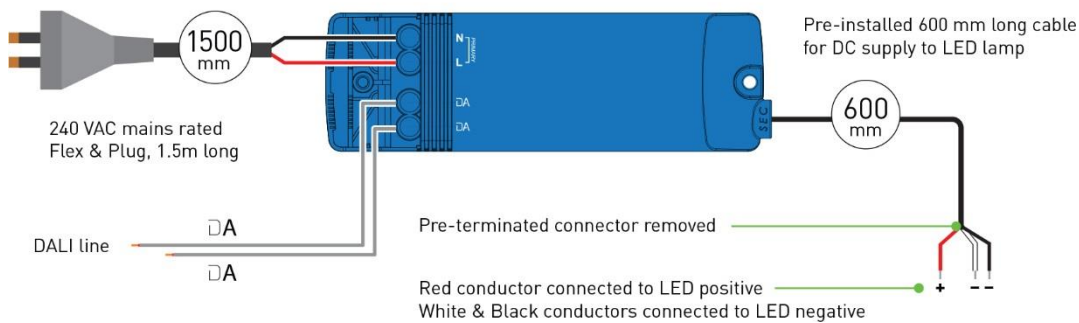


Driver Connections

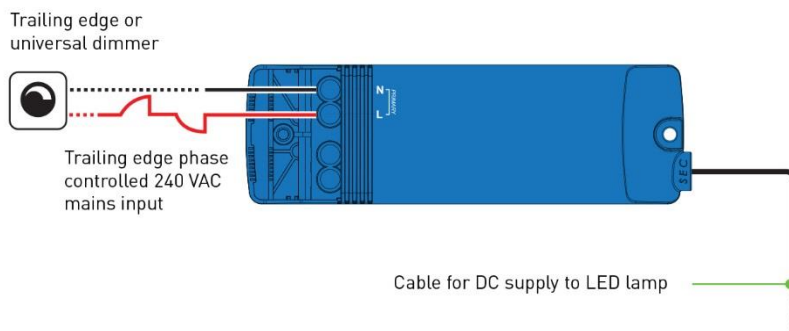
Driver connections to Gerard Lighting lamp



Driver connections to 3rd party lamp



Trailing edge phase dimmer input to control dimming level of connected LED lamp





Sapphire 18W 700mA LED Driver

Dimmable via DALI

Specifications

Electrical		Mechanical	
Nominal Mains Supply Voltage	220-240V dc	Housing material	Flame Retardant Polycarbonate
Nominal Mains Supply Frequency	50/60Hz	Fixing	1 x 4mm diameter fixing hole
Input Current	75mA @ 240V typical	DC output cable	600mm long, pre-terminated 3-core cable with 4-way connector to suit Gerard Lighting LED lamps
Maximum Input Power	18W	Mains connection cable	1.5m long, pre-terminated with Australian/NZ 240V ac 10A mains plug
Input PF	≥0.95 typical	Mains Terminals	2 x 2.5mm ² maximum per terminal or 3 x 1.5mm ² maximum per terminal
Input THD	<15% typical	DALI Terminals	2 x 2.5mm ² maximum per terminal or 3 x 1.5mm ² maximum per terminal
Rated Output Current	CC Mode: 700mA (+/- 5%) CV Mode: 420mA	Weight	230g
Nominal Output Voltage Range	12-21V dc (4 to 7 LEDs)	Environmental	
Working Output Voltage Limits	10V dc – 24V dc	Ambient Operating Temperature	0°C to +50°C
Line Voltage Regulation	100%	Maximum Case Temperature	85°C (@ ta=50°C)
Nominal No-load Output Voltage	25V	Operating Humidity	< 95% RH non condensing
Short-Circuit Output Current	<150mA average	IP Rating	IP20
Short-Circuit Load	Auto-recover		
Efficiency at Maximum Load	78%		
Off-state Standby Power	1W		
Dimming Range	0.5%-100%		
Maximum Turn-on Delay	0.3 Sec		

Approvals & Compliance

IP20  

CONTACT INFORMATION

Web: www.dignet.net.au
 General Enquiries: 1300 95 DALI (3254) sales@dignet.net.au
 Technical Services: 1300 95 3244 support@dignet.net.au
 Fax: 1300 95 3257

PRODUCT OF GERARD LIGHTING PTY LTD

ABN – 89 095 788 864
 96-112 Gow Street
 Padstow NSW 2211

DIGINET IS A BRAND OF GERARD LIGHTING

The product includes a **FIVE-YEAR WARRANTY** against manufacturing defects. Fully warranty terms can be found here www.dignet.net.au
COPYRIGHT. ©This document is copyright to Gerard Lighting Pty Ltd. Except as permitted under relevant law, no part of this user and installation guide may be reproduced by any process without written permission of and acknowledgement to Gerard Lighting. **DISCLAIMER.** Gerard Lighting Pty Ltd reserves the right to alter the specifications, designs or other features of any items and to discontinue any items at any time without notice and without liability. While every effort is made to ensure that all information in this user and installation guide is correct, no warranty of accuracy is given and Gerard Lighting shall not be liable for any error. **TRADEMARKS.** The identified trademarks and copyrights are the property of Gerard Lighting Pty Ltd unless otherwise noted.