

# Sapphire 18W 500mA LED Driver

Dimmable via DALI



[www.dignet.net.au](http://www.dignet.net.au)



Range

DGLC500C18DD



Overview

High quality, Australian designed LED driver delivering 500mA at 18V DC to 30V DC. The driver includes a DALI line connection for control of the connected LED light source. The LED light output level can be controlled via DALI from 100% to 0.5%.

Features

**350mA, 500mA, 650mA and 700mA** constant current variants

**DALI control input**

**Dimming range (via DALI) from 100% to 0.5%**

**DC output open circuit and short circuit detection, protection and reporting, in accordance with the DALI standard, IEC 62386-207**

**Automatic recovery from DC output open circuit and short circuit conditions**

**Active thermal wind-back with Gerard Lighting LED lamps** to protect against LED damage due to overheating

**Fully compatible with Gerard Lighting LED lamps**, including Sunset Dim lamps and Constant Colour lamps

**Fully tested to and complies with DALI standards IEC 62386-102 and IEC 62386-207 (using a DALI-AG approved tester, using test sequences version 1.1.)**

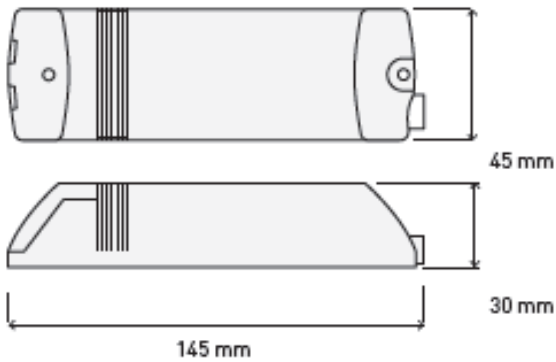
**Full support for both DALI fast and slow fade times**, as defined by the DALI standards

**High Power Factor ( $\geq 0.95$ )**

**Pre-terminated DC lead for quick installation**

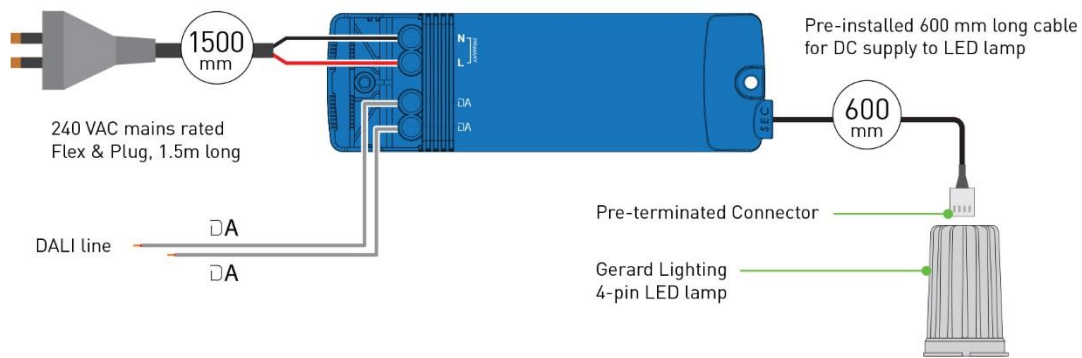
**Cable strain relief for DC and mains wiring**

Dimensions

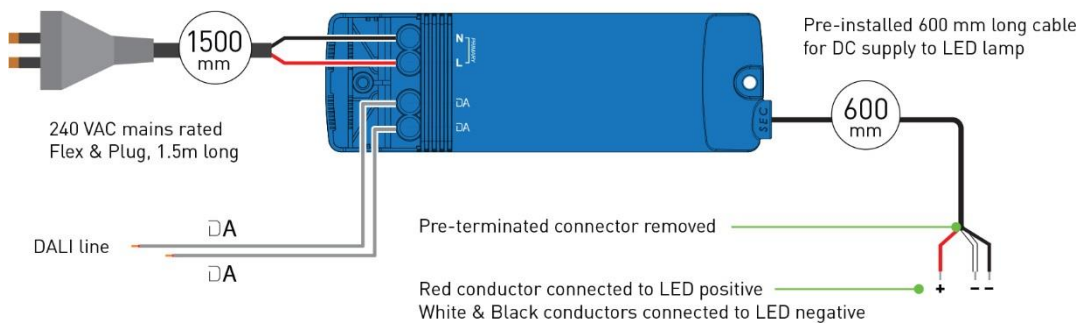


## Driver Connections

### Driver connections to Gerard Lighting lamp

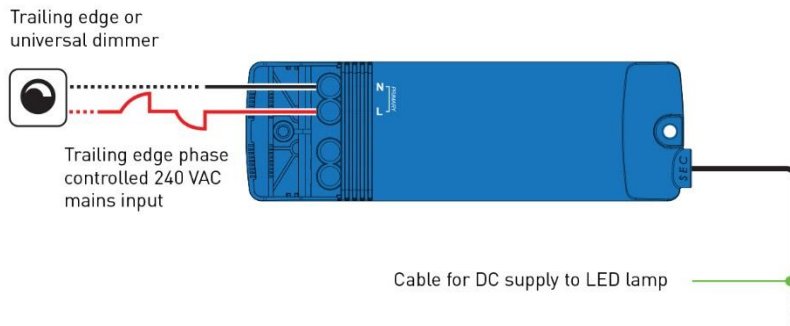


### Driver connections to 3rd party lamp





## Trailing edge phase dimmer input to control dimming level of connected LED lamp



## Specifications

Electrical	
Nominal Mains Supply Voltage	220-240V dc
Nominal Mains Supply Frequency	50/60Hz
Input Current	75mA @ 240V typical
Maximum Input Power	18W
Input PF	≥0.95 typical
Input THD	<15% typical
Rated Output Current	CC Mode: 500mA (+/- 5%) CV Mode: 300mA
Nominal Output Voltage Range	18-30V dc (6 to 10 LEDs)
Working Output Voltage Limits	15V dc – 33V dc
Line Voltage Regulation	100%
Nominal No-load Output Voltage	35V
Short-Circuit Output Current	<60mA average
Short-Circuit Load	Auto-recover
Efficiency at Maximum Load	78%
Off-state Standby Power	1W
Dimming Range	0.5%-100%
Maximum Turn-on Delay	0.3 Sec

Mechanical	
Housing material	Flame Retardant Polycarbonate
Fixing	1 x 4mm diameter fixing hole
DC output cable	600mm long, pre-terminated 3-core cable with 4-way connector to suit Gerard Lighting LED lamps
Mains connection cable	1.5m long, pre-terminated with Australian/NZ 240V ac 10A mains plug
Mains Terminals	2 x 2.5mm <sup>2</sup> maximum per terminal or 3 x 1.5mm <sup>2</sup> maximum per terminal
DALI Terminals	2 x 2.5mm <sup>2</sup> maximum per terminal or 3 x 1.5mm <sup>2</sup> maximum per terminal
Weight	230g

Environmental	
Ambient Operating Temperature	0°C to +50°C
Maximum Case Temperature	85°C (@ ta=50°C)
Operating Humidity	< 95% RH non condensing
IP Rating	IP20

## Approvals & Compliance

IP20  



## Sapphire 18W 500mA LED Driver

Dimmable via DALI

---

### CONTACT INFORMATION

Web [www.diginet.net.au](http://www.diginet.net.au)  
General Enquiries: 1300 95 DALI (3254) [sales@diginet.net.au](mailto:sales@diginet.net.au)  
Technical Services: 1300 95 3244 [support@diginet.net.au](mailto:support@diginet.net.au)  
Fax: 1300 95 3257

### PRODUCT OF GERARD LIGHTING PTY LTD

ABN – 89 095 788 864  
96-112 Gow Street  
Padstow NSW 2211

---

### DIGINET IS A BRAND OF GERARD LIGHTING

The product includes a **FIVE-YEAR WARRANTY** against manufacturing defects. Fully warranty terms can be found here [www.diginet.net.au](http://www.diginet.net.au)

**COPYRIGHT.** ©This document is copyright to Gerard Lighting Pty Ltd. Except as permitted under relevant law, no part of this user and installation guide may be reproduced by any process without written permission of and acknowledgement to Gerard Lighting. **DISCLAIMER.** Gerard Lighting Pty Ltd reserves the right to alter the specifications, designs or other features of any items and to discontinue any items at any time without notice and without liability. While every effort is made to ensure that all information in this user and installation guide is correct, no warranty of accuracy is given and Gerard Lighting shall not be liable for any error. **TRADEMARKS.** The identified trademarks and copyrights are the property of Gerard Lighting Pty Ltd unless otherwise noted.

---